

# 2021 Alfa Romeo Giulia

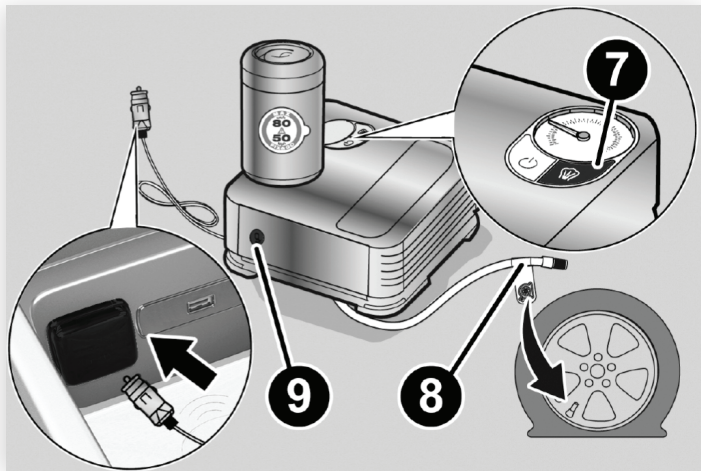
## Checking and Restoring Tire Pressure



The compressor can also be used to check and, if necessary, restore the tire pressure.

### PROCEED AS FOLLOWS:

- 1 Release the quick connector and connect it directly to the valve of the tire to be inflated.
- 2 Push the air release button.



Air Compressor Components

- 7. Air Release Button
- 8. Quick Connector
- 9. Release Button