




2020 - 2024 Mercedes-Benz Sprinter 2500 - Towing

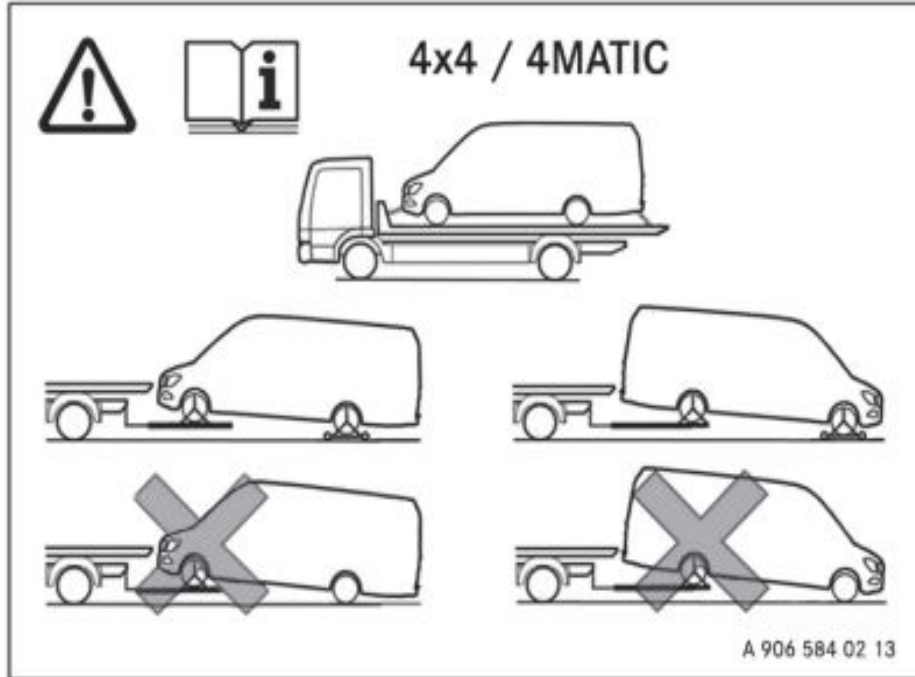
Permitted Towing Methods

	 Both axles on the ground	 Front axle raised	 Rear axle raised
Vehicles with automatic transmission and rear-wheel drive	Yes, no further than 31 miles (50 km) at 31 mph (50 km/h)	Yes, no further than 31 miles (50 km) at 31 mph (50 km/h)	Yes, if the steering wheel is immobilized in the center position with a steering wheel lock
Vehicles with all-wheel drive	Yes, no further than 31 miles (50 km) at 31 mph (50 km/h)	No	No

NOTE: We offer these best practices as a courtesy. Network participants remain solely responsible for the appropriate training and management of their personnel, following any and all industry standards for safety, and ongoing compliance with all local, state, federal laws, rules and regulations.

Mercedes-Benz Sprinter 2500 - Towing

2020 - 2024



NOTE: We offer these best practices as a courtesy. Network participants remain solely responsible for the appropriate training and management of their personnel, following any and all industry standards for safety, and ongoing compliance with all local, state, federal laws, rules and regulations.

Vehicles with automatic transmission: shift the automatic transmission to position **N**

Vehicles with automatic transmission: in the event of damage to the electrics, the automatic transmission may be locked in the position **P**. To shift to the position **N**, provide the on-board electrical system with power.

Load the vehicle onto the transporter

Vehicles with automatic transmission: shift the automatic transmission to position **P**

Use the parking brake to secure the vehicle against rolling away

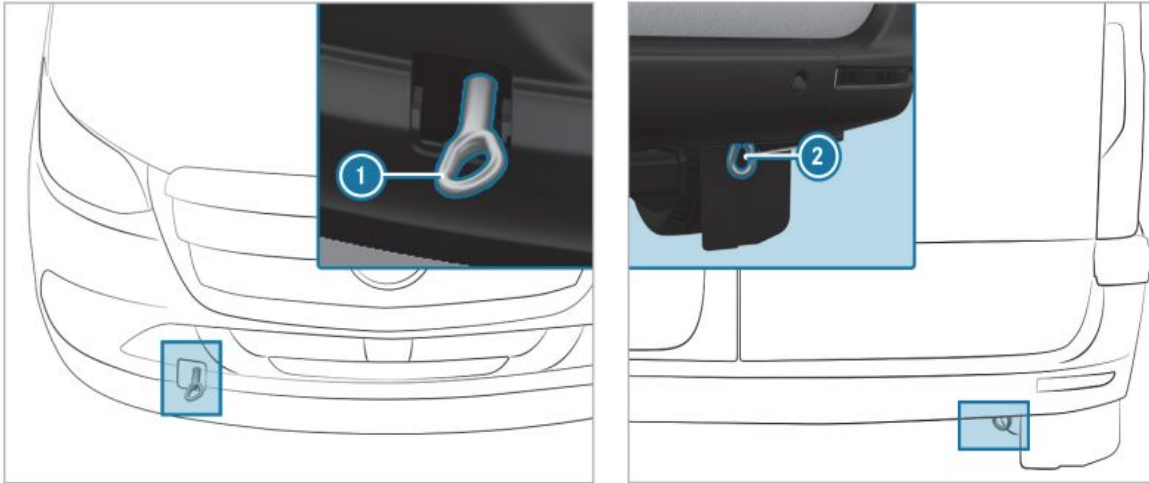
Only secure the vehicle by the wheels.

Mercedes-Benz Sprinter 2500 - Towing

2020 - 2024

Tow Eye Location

Installing the front towing eye



- Tow eye is located in the vehicle tool kit in the **FRONT PASSENGER FOOTWELL**

NOTE: We offer these best practices as a courtesy. Network participants remain solely responsible for the appropriate training and management of their personnel, following any and all industry standards for safety, and ongoing compliance with all local, state, federal laws, rules and regulations.