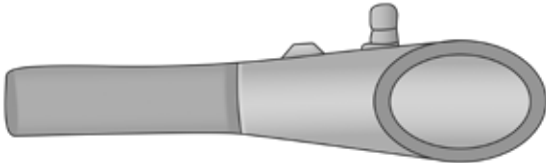


# REFUELING IN EMERGENCY – IF EQUIPPED

The vehicle is equipped with a refueling funnel for a Cap-Less Fuel System. If refueling is necessary, while using an approved gas can, insert the refueling funnel into the filler neck opening. Take care to open both flappers with the funnel to avoid spills.

## Note:

In certain cold conditions, ice may prevent the fuel door from opening. If this occurs, lightly push on the fuel door to break the ice buildup and re-release the fuel door by pushing at the rear center edge to unlatch.



A071100013US

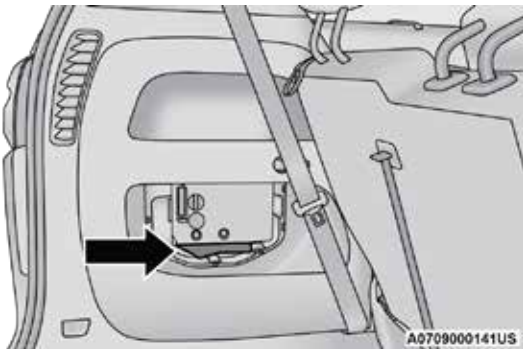
Refueling Funnel

## Emergency Gas Can Refueling

Most gas cans will not open the flapper doors. A funnel is provided to allow emergency refueling with a gas can.

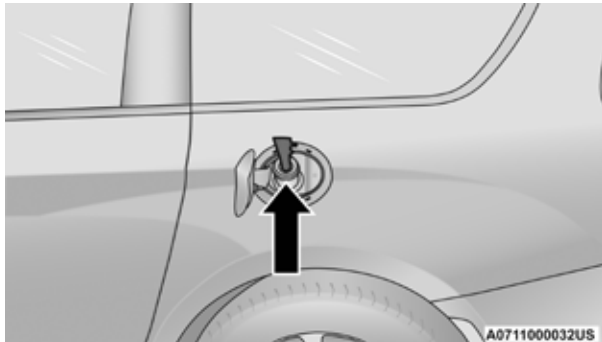
See the following steps for refueling:

1. Retrieve funnel from the rear storage area.



Fuel Funnel Location

2. Insert funnel into same filler pipe opening as the fuel nozzle.



Inserting Funnel

3. Ensure funnel is inserted fully to hold flapper doors open.

4. Pour fuel into funnel opening.

**CAUTION:**

**To avoid fuel spillage and overfilling, do not “top off” the fuel tank after filling.**

5. Remove funnel from filler pipe, clean off prior to putting back in the spare tire storage area.

**WARNING:**

- Never have any smoking materials lit in or near the vehicle when the fuel door is open or the tank is being filled.
- Never add fuel when the engine is running. This is in violation of most state and federal fire regulations and may cause the Malfunction Indicator Light to turn on.
- A fire may result if fuel is pumped into a portable container that is inside of a vehicle. You could be burned. Always place fuel containers on the ground while filling.